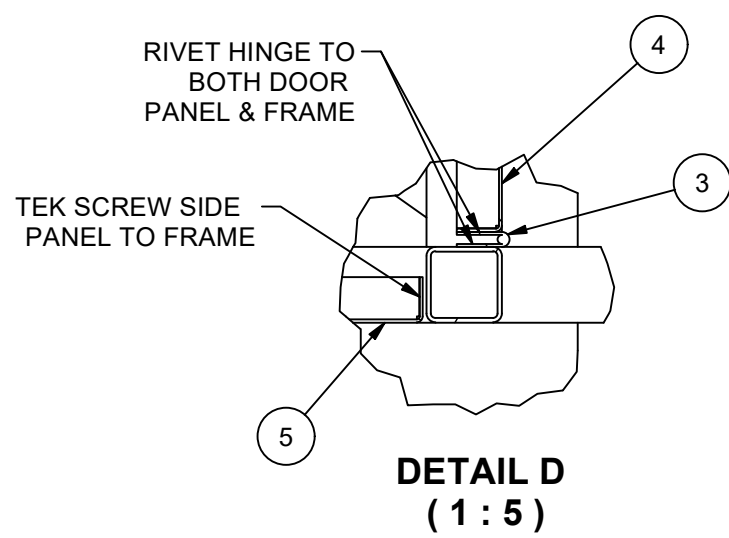
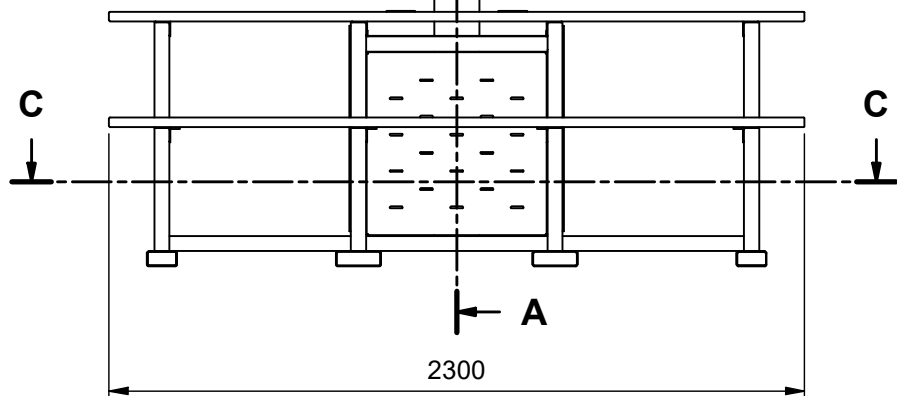
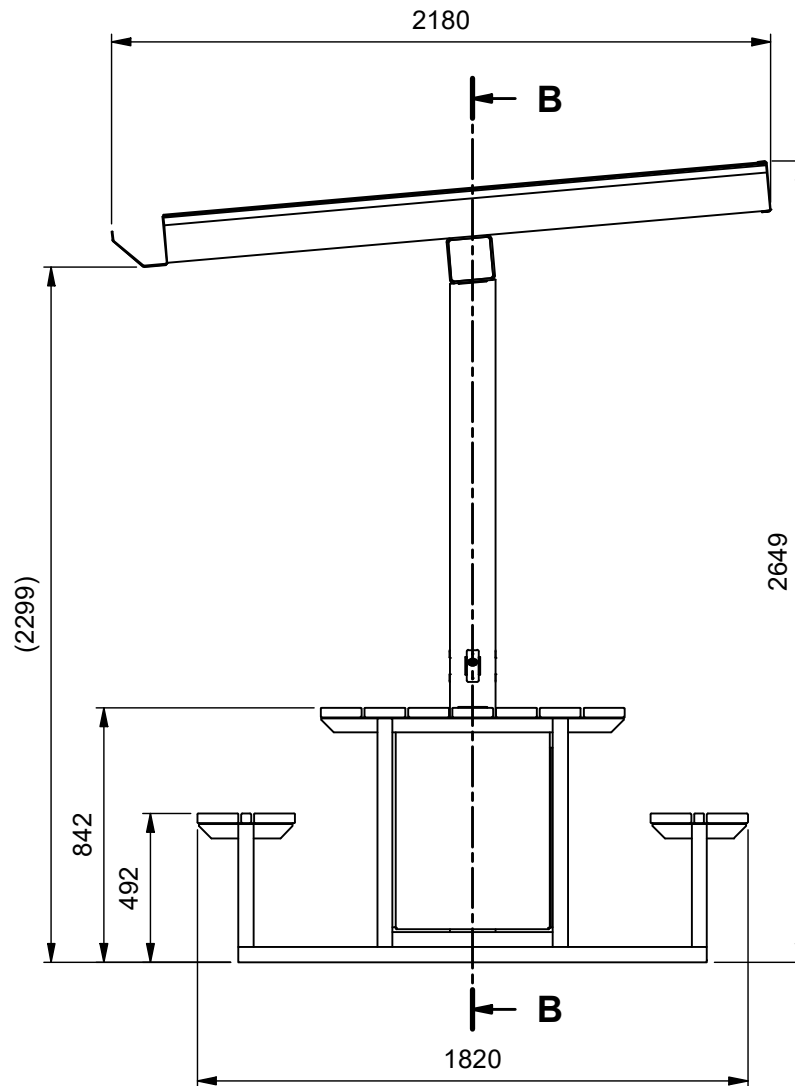
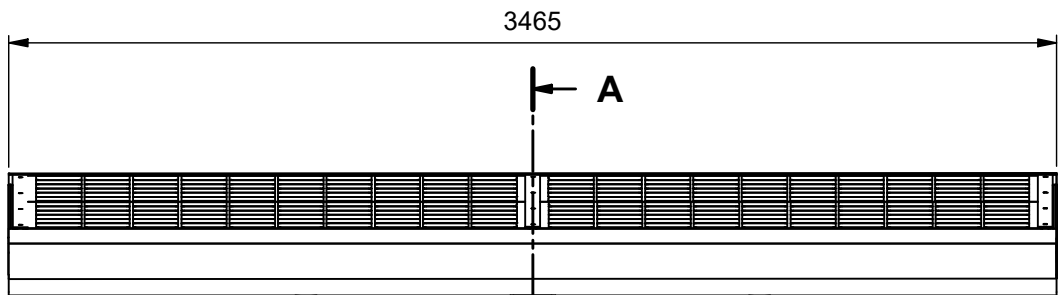
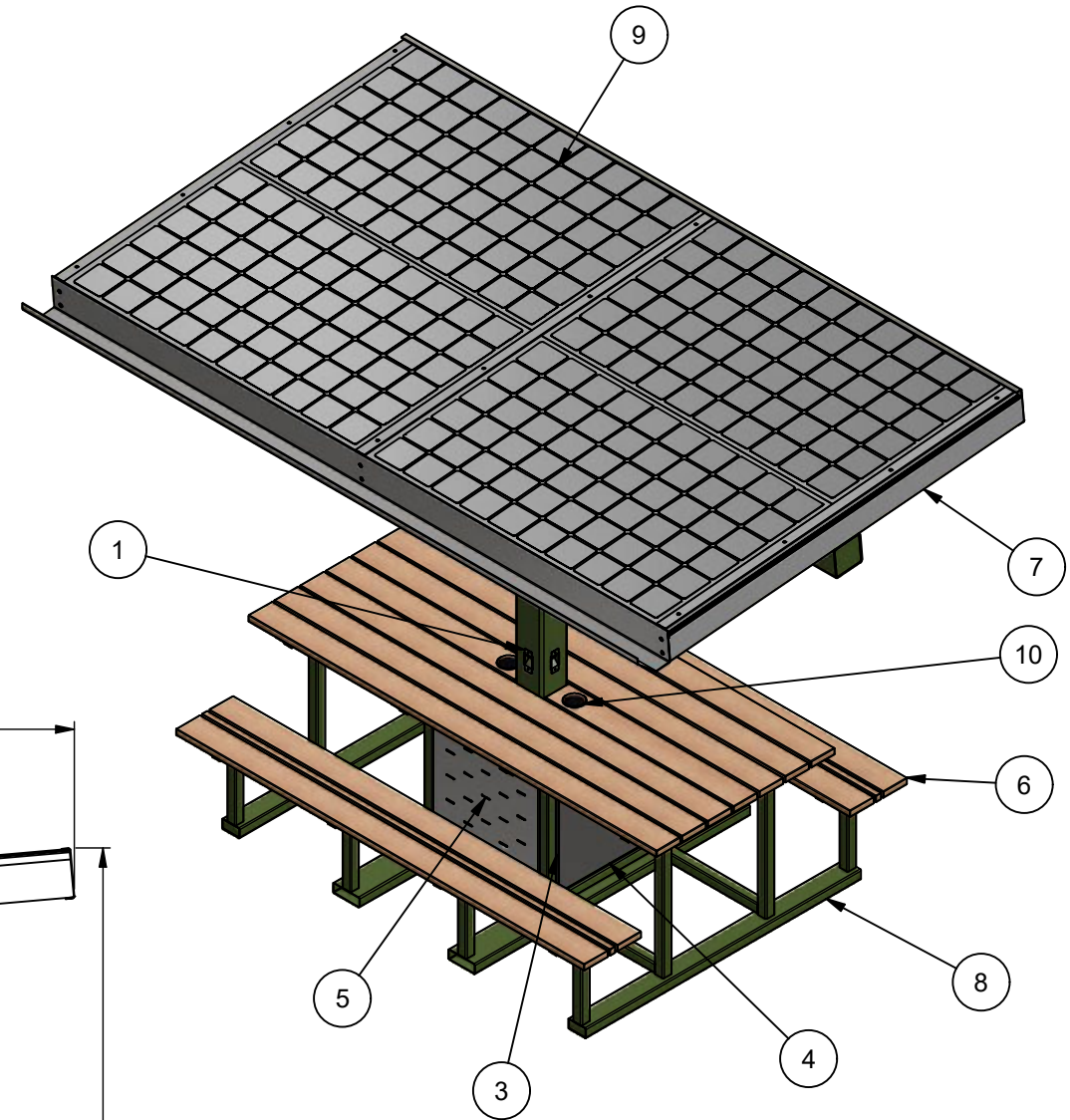


**SECTION C-C
(1 : 25)**



**DETAIL D
(1 : 5)**



ITEM	DESCRIPTION	PART NUMBER	QTY
13	LED SPOTLIGHT		2
12	USB SOCKET		4
10	WIRELESS PHONE CHARGER		2
9	SOLAR PANEL 1664x998x32		4
8	SOLAR BENCH - FRAME	001	1
7	SOLAR PANEL - FRAME	002	1
6	BENCH TIMBER ASSEMBLY	003	1
5	SIDE PANEL	004	2
4	DOOR PANEL	005	2
3	DOOR HINGE	006	2
2	BATTERY COVER PANEL	007	2
1	USB SOCKET PANEL	008	4

TOLERANCES UNLESS SPECIFIED

NOMINAL SIZE	UP TO 5.0	5.1 TO 15.0	15.1 TO 30.0	30.1 TO 10.0	10.1 ABOVE
MACH	±0.1	±0.2	±0.3	±0.5	±1.0
FAB	±0.5	±0.5	±0.5	±1.0	±2.0
ASSY	±0.5	±0.5	±1.0	±1.5	±2.0
SHT MET	±0.5	±0.5	±0.5	±0.5	±1.0

SHEET METAL BENDING

THICKNESS	0.5 - 2.0	2.5 - 5.0	OVER 5.0
TOLERANCE	±0.5	±1.0	±2.0

TOLERANCES ON CONSECUTIVE DIMENSIONS ARE NOT TO BE ACCUMULATED.

A3 DRAWN CMS
SPECIALISED SOLUTIONS
1284 SOUTH ROAD CLOVELLY PARK
SA 5042 Ph:-(08) 8354 2211

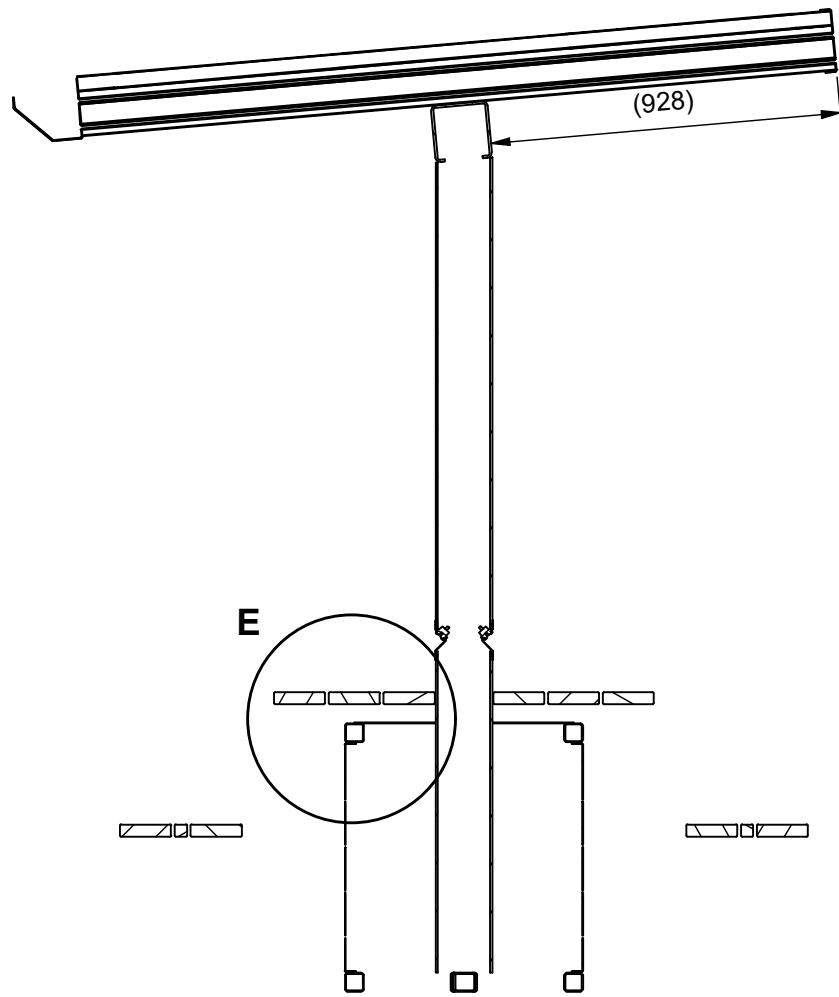
CHECKED _____ APPROVED _____ SCALE 1:25

SOLAR BENCH ASSEMBLY

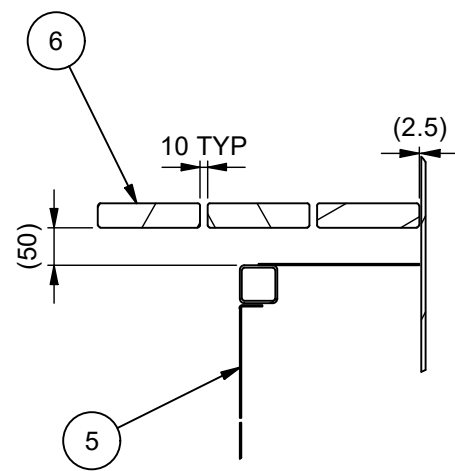
000 SHEET 1 OF 2

THIS DOCUMENT IS THE PROPERTY OF SPECIALISED SOLUTIONS
REPRODUCTION OR COMMUNICATION OF ANY CONTENT WITHOUT
COMPANY CONSENT IS PROHIBITED

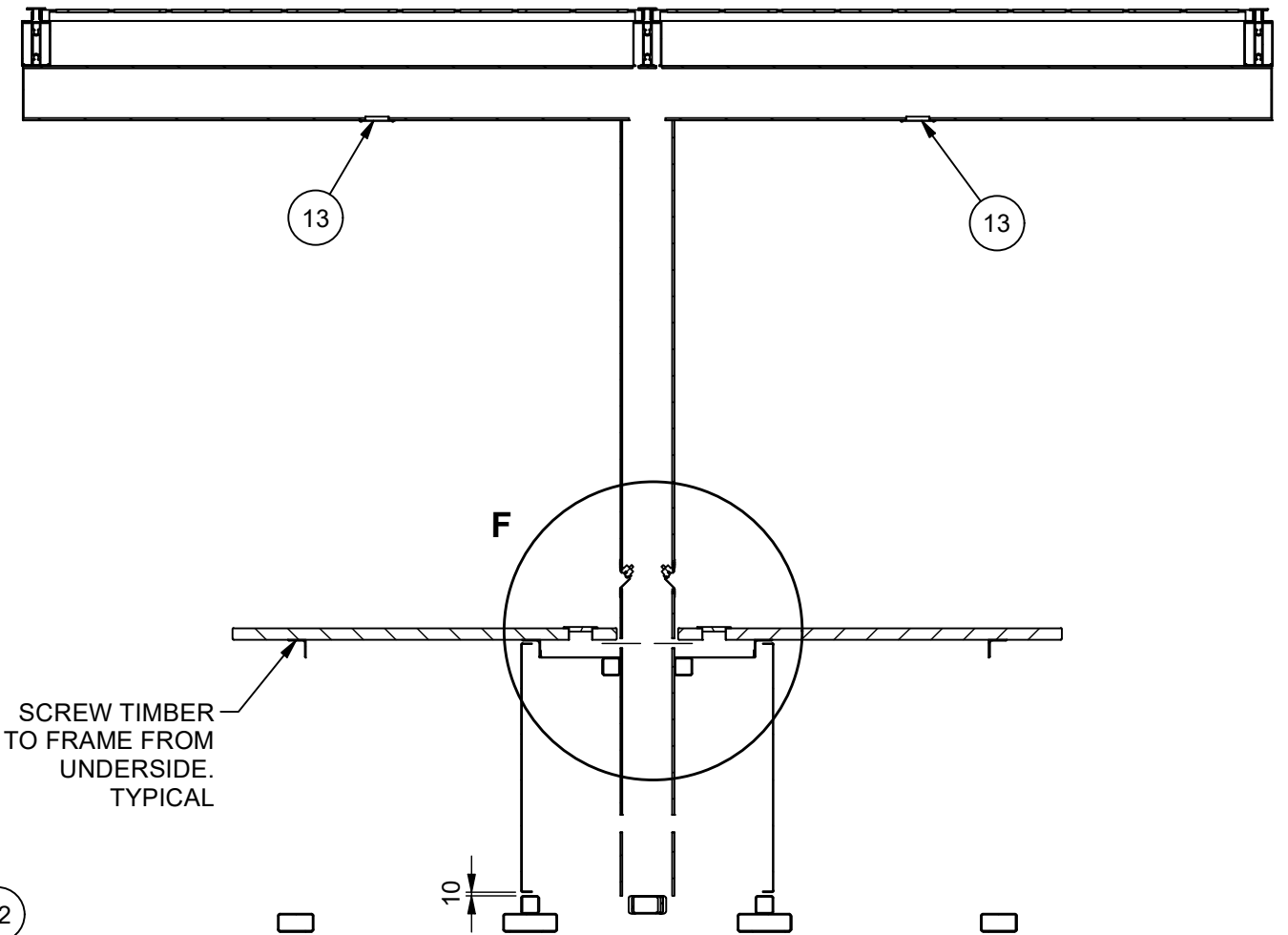
REV	DESCRIPTION	DATE
A	RELEASED FOR MANUFACTURE	8/09/2019



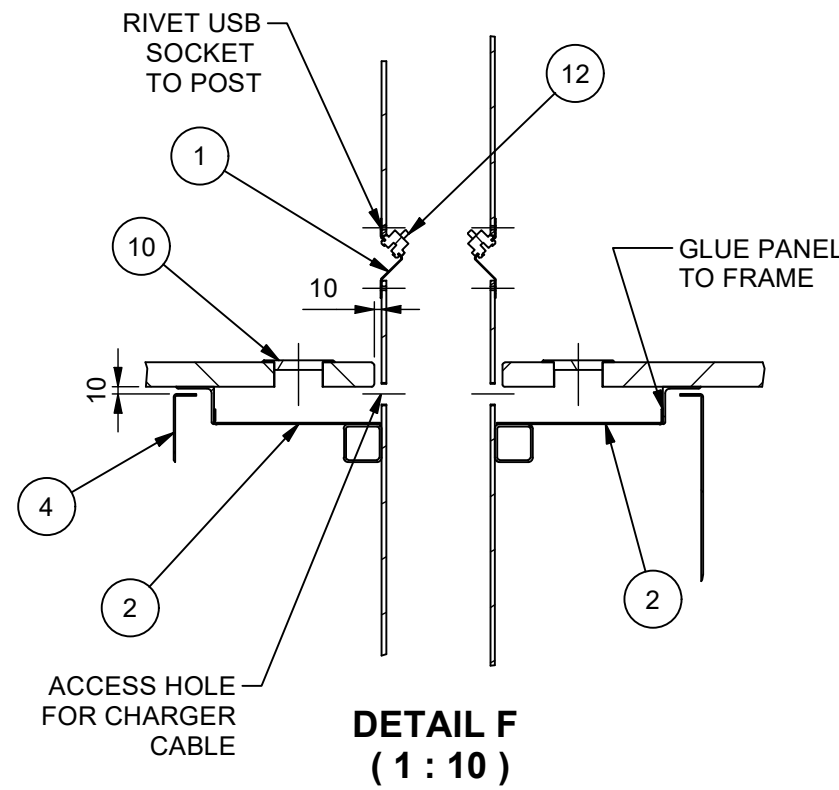
**SECTION A-A
(1 : 20)**



**DETAIL E
(1 : 10)**



**SECTION CUT B-B
(1 : 20)**



**DETAIL F
(1 : 10)**

A	RELEASED FOR MANUFACTURE	8/09/2019
REV	REVISION DESCRIPTION	DATE

TOLERANCES UNLESS SPECIFIED			
NOMINAL SIZE	UP TO	FROM TO	FROM TO ABOVE
	5.0	5.1 TO 15.0	15.1 TO 30.0
		30.1 TO 10.0	10.1 TO 10.1
MACH	±0.1	±0.2	±0.3
FAB	±0.5	±0.5	±0.5
ASSY	±0.5	±0.5	±0.5
SHT MET	±0.5	±0.5	±0.5
SHEET METAL BENDING			
THICKNESS	0.5 - 2.0	2.5 - 5.0	OVER 5.0
TOLERANCE	±0.5	±1.0	±2.0

A3 DRAWN CMS
 SPECIALISED SOLUTIONS
 1284 SOUTH ROAD CLOVELLY PARK
 SA 5042 Ph:-(08) 8354 2211

THIS DOCUMENT IS THE PROPERTY OF SPECIALISED SOLUTIONS
 REPRODUCTION OR COMMUNICATION OF ANY CONTENT WITHOUT
 COMPANY CONSENT IS PROHIBITED

CHECKED APPROVED SCALE 1:20

SOLAR BENCH ASSEMBLY

000 SHEET 2 OF 2

